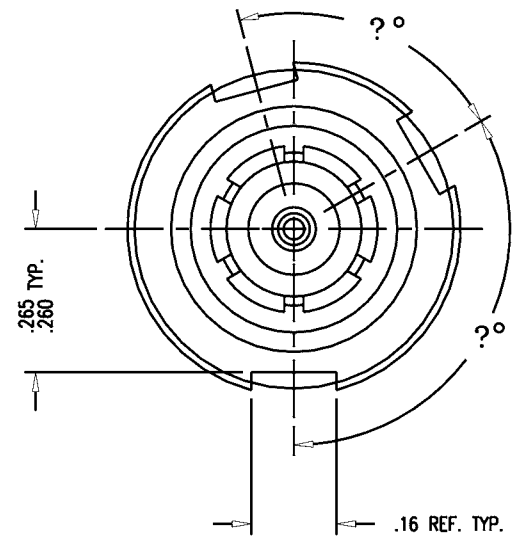
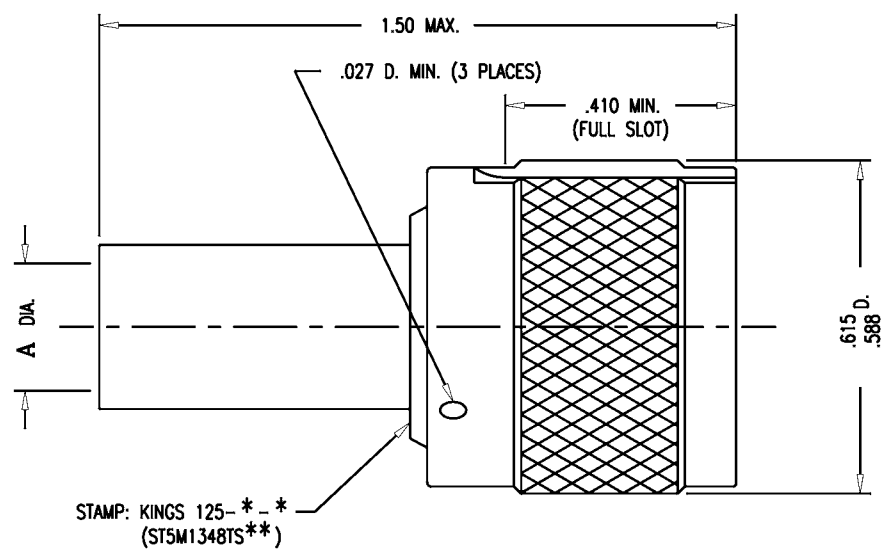


GSD

125-*-* (SHEET 1 OF 2)

REVISIONS	
ISSUE	CHANGES
1	CN 32553 E REDRAWN JCA 10/04/90
2	CN 33366 E JCA 09/27/91



- NOTES:
- MATERIALS:
 - INSULATOR: TEFLON, ASTM-D-1457
 - GASKET: SIL. RUB., ZZ-R-765
 - C-RING: BER. COP., ASTM-B-196
 - K-GRIP SLEEVE: COM. BRONZE TUBE, ALLOY 220
 - ALL OTHER PARTS: BRASS, ASTM-B16
 - FINISHES:
 - CENTER CONTACT: HARD GOLD PLT. PER MIL-G-45204
 - ALL OTHER METAL PARTS: SILVER PLT. PER QQ-S-365
 - ELECTRICAL CHARACTERISTICS:
 - NOMINAL IMPEDANCE: 50 OHMS
 - VOLTAGE RATING: 500 VRMS
 - FREQUENCY RANGE: DC TO 11 GHz

JCA0946

SCALE 4:1	
APPROX SURFACE AREA	
USED ON	
REF: MC AIR ST5M1348TS**	
PLUG, TNC, KEYED	
DRAWN JCA	DATE 10/04/90
DESIGN MJB	DATE 10/04/90
APPR.	DATE

KINGS
ELECTRONICS CO., INC.
TUCKAHOE, NEW YORK 10707

GSD

125-*-*
(SHEET 1 OF 2)

KINGS NO.	MCDONNELL DOUGLAS NO.	A DIA.	?°	?°	CABLE GROUPS	JACKET TRIM JIG	DIELECTRIC TRIM JIG	CRIMP DIE
125-1-2	ST5M1348TS2B	96	96					
125-1-3	ST5M1348TS3B	120	144					
125-1-4	ST5M1348TS4B	72	144					
125-1-5	ST5M1348TS5B	120	120					
125-1-6	ST5M1348TS6B	120	72					
125-1-7	ST5M1348TS7B	120	96					
125-1-8	ST5M1348TS8B	110	72					
125-2-1	ST5M1348TS1C	.21 D.	72	120	FOR USE WITH G.D. 5M1010-1 CABLE.	KTJ-113	KTD-24	KTH-2001
125-2-2	ST5M1348TS2C		96	96				
125-2-3	ST5M1348TS3C		120	144				
125-2-4	ST5M1348TS4C		72	144				
125-2-5	ST5M1348TS5C		120	120				
125-2-6	ST5M1348TS6C		120	72				
125-2-7	ST5M1348TS7C		120	96				
125-2-8	ST5M1348TS8C		110	72				
125-3-1	ST5M1348TS1D		72	120	FOR USE WITH G.D. ST5M1347 CABLE.		KTD-244	
125-3-2	ST5M1348TS2D		96	96				
125-3-3	ST5M1348TS3D		120	144				
125-3-4	ST5M1348TS4D		72	144				
125-3-5	ST5M1348TS5D		120	120				
125-3-6	ST5M1348TS6D		120	72				
125-3-7	ST5M1348TS7D		120	96				
125-3-8	ST5M1348TS8D		110	72				
125-4-1	ST5M1348TS1E	.18 D.	72	120	FOR USE WITH G.D. ST5M1351 & RG-180 CABLE.	KTJ-116	KTD-161	KTH-2007
125-4-2	ST5M1348TS2E		96	96				
125-4-3	ST5M1348TS3E		120	144				
125-4-4	ST5M1348TS4E		72	144				
125-4-5	ST5M1348TS5E		120	120				
125-4-6	ST5M1348TS6E		120	72				
125-4-7	ST5M1348TS7E		120	96				
125-4-8	ST5M1348TS8E		110	72				

125- *- * (SHEET 2 OF 2)

REVISIONS	
ISSUE	CHANGES
1	CN 32553 E REDRAWN JCA 10/04/90
2	CN 33366 E JCA 09/27/91
JCA0947	
SCALE 1:1	
APPROX SURFACE AREA	
USED ON	
REF: MC AIR ST5M1348TS **	
TNC PLUG	
DRAWN JCA	DATE 10/04/90
DESIGN MJB	DATE 10/04/90
APPR.	DATE
	
125- *- * (SHEET 2 OF 2)	

GSD

GSD